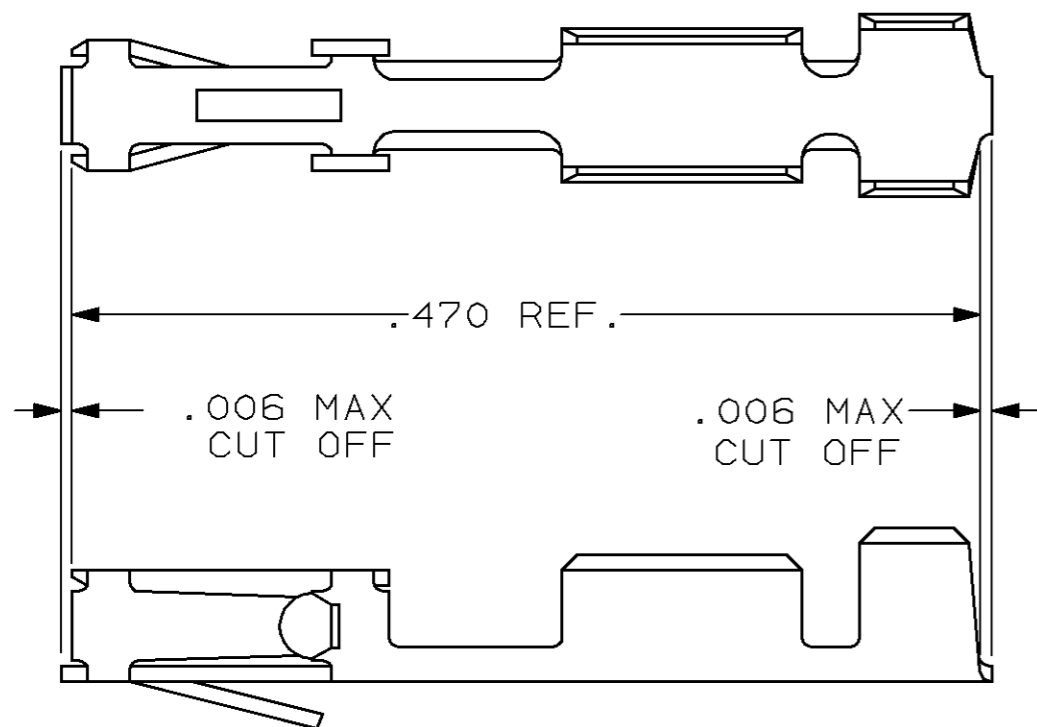


THIS DRAWING IS UNPUBLISHED. RELEASED FOR PUBLICATION ,19 .  
 © COPYRIGHT 19 BY AMP INCORPORATED. ALL RIGHTS RESERVED.

LOC	DIST	REVISIONS				
P	LTR	DESCRIPTION	DATE	DWN	APVD	
AD	00	B	REV PER EC NO. 0310-0030-98	7/30/98	ECC	-



1. WIRE RANGE: #20-#24
2. INSULATION RANGE: .069 MAX. DIA.
3. FOR SECTIONS AND ADDITIONAL DIMENSIONS SEE AMP CUSTOMER DRAWING#85969

OBSOLETE	86016-6	GOLD FLASH OVER .000050 NICKEL ENTIRE CONTACT, .000050 GOLD IN CONTACT AREA
	86016-5	GOLD FLASH OVER .000050 NICKEL ENTIRE CONTACT, .000015 GOLD IN CONTACT AREA
	86016-4	.000050 GOLD OVER .000050 NICKEL
	86016-3	PREPLATED: (HALT) .000078-.000158 BRIGHT TIN
	86016-2	GOLD FLASH OVER .000050 NICKEL ENTIRE CONTACT, .000030 GOLD IN CONTACT AREA
	86016-1	.000030 GOLD OVER .000050 NICKEL
	PART #	FINISH

E.C. CLAYBAUGH		<b>AMP</b>	
CHK -		NAME	
APVD -		RECEPTACLE CONTACT, MOD IV	
PRODUCT SPEC -		CRIMP SNAP-IN	
APPLICATION SPEC -		LOOSE PIECE	
MATERIAL BERYLLIUM COPPER		SIZE A300779	DRAWING NO C-86016
FINISH -		WEIGHT -	RESTRICTED TO -
DIMENSIONS: IN		SCALE 10:1	
TOLERANCES UNLESS OTHERWISE SPECIFIED:		SHEET 1 OF 1	
0 PLC ±-		REV B	
1 PLC ±-			
2 PLC ±-			
3 PLC ±-			
4 PLC ±-			
ANGLES ±-			
CUSTOMER DRAWING			